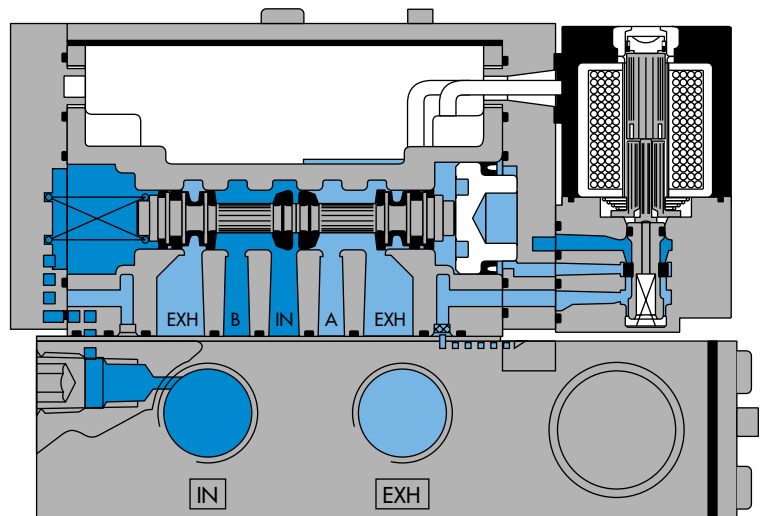
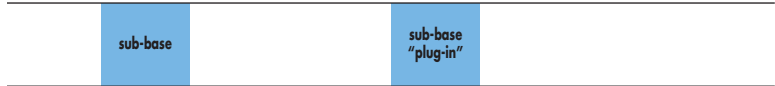


Individual mounting



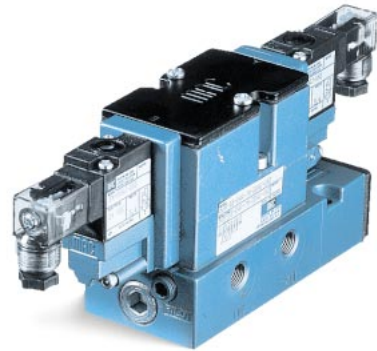
Manifold mounting



Function	Port size	Flow (Max)	Individual mounting
<b>4/2 - 4/3</b>	<b>G1/8" - G1/4" - G3/8"</b>	<b>1350 NI/min</b>	sub-base

### OPERATIONAL BENEFITS

- Balanced spool, immune to variations of pressure.
- Short stroke with high flow.
- The piston (booster) provides maximum shifting forces.
- Powerful return force thanks to the combination of mechanical and air springs.
- Bonded spool with minimum friction, shifting in a glass-like finished bore.
- Wiping effect eliminates sticking.
- Pilot valve with balanced poppet, high flow, short and consistent response times.
- Long service life.



**Reset**

### HOW TO ORDER

Port size	Pilot air	4/2 Single operator	4/2 Double operator	4/3 Closed centre	4/3 Open centre	4/3 Pressure centre
<b>Valve less base</b>		82A-AB-000-TM-Dxxx-xxx	82A-BB-000-TM-Dxxx-xxx	82A-EB-000-TM-Dxxx-xxx	82A-FB-000-TM-Dxxx-xxx	82A-GB-000-TM-Dxxx-xxx
<b>sub-base</b>	Internal	82A-AB-DAA-TM-Dxxx-xxx	82A-BB-DAA-TM-Dxxx-xxx	82A-EB-DAA-TM-Dxxx-xxx	82A-FB-DAA-TM-Dxxx-xxx	82A-GB-DAA-TM-Dxxx-xxx
<b>G1/8"</b>	External	82A-AB-DAD-TM-Dxxx-xxx	82A-BB-DAD-TM-Dxxx-xxx	82A-EB-DAD-TM-Dxxx-xxx	82A-FB-DAD-TM-Dxxx-xxx	82A-GB-DAD-TM-Dxxx-xxx
<b>sub-base</b>	Internal	82A-AB-EAA-TM-Dxxx-xxx	82A-BB-EAA-TM-Dxxx-xxx	82A-EB-EAA-TM-Dxxx-xxx	82A-FB-EAA-TM-Dxxx-xxx	82A-GB-EAA-TM-Dxxx-xxx
<b>G1/4"</b>	External	82A-AB-EAD-TM-Dxxx-xxx	82A-BB-EAD-TM-Dxxx-xxx	82A-EB-EAD-TM-Dxxx-xxx	82A-FB-EAD-TM-Dxxx-xxx	82A-GB-EAD-TM-Dxxx-xxx
<b>sub-base</b>	Internal	82A-AB-FAA-TM-Dxxx-xxx	82A-BB-FAA-TM-Dxxx-xxx	82A-EB-FAA-TM-Dxxx-xxx	82A-FB-FAA-TM-Dxxx-xxx	82A-GB-FAA-TM-Dxxx-xxx
<b>G3/8"</b>	External	82A-AB-FAD-TM-Dxxx-xxx	82A-BB-FAD-TM-Dxxx-xxx	82A-EB-FAD-TM-Dxxx-xxx	82A-FB-FAD-TM-Dxxx-xxx	82A-GB-FAD-TM-Dxxx-xxx

### SOLENOID OPERATOR ▶

D **XX X- X XX'**

XX Voltage	X Wire length	X Manual operator	XX Electrical connection
<b>AB</b> 220V~/50Hz	<b>A</b> 45 cm (Flying leads)	<b>1</b> Non-locking	<b>KA</b> Square connector
<b>AA</b> 110V~/50Hz	<b>J</b> Connector	<b>2</b> Locking	<b>KD</b> Square connector with light
<b>AC</b> 24V~/50Hz			<b>JB</b> Rectangular connector
<b>FB</b> 24V=/1,8W			<b>JD</b> Rectangular connector with light
<b>DA</b> 24V=/5,4W			<b>BA</b> Flying leads
<b>DF</b> 24V=/12,7W			

### OPTIONS

82A-AB-000-TMDxxx-xxx

click for dual pressure valves (replace A by C, B by D, E by M, F by L, G by H).

### TECHNICAL DATA

<b>Fluid :</b>	Compressed air, vacuum, inert gases	
<b>Pressure range :</b>	Internal pilot : single operator and 3 positions : 1.8 to 10 bar	double operator : 0.7 to 10 bar
	External pilot : vacuum to 10 bar	
<b>Pilot pressure :</b>	Single operator and 3 positions : 1.8 to 10 bar Double operator : 0.7 to 10 bar	
<b>Lubrication :</b>	Not required, if used select a medium aniline point lubricant (between 80°C and 100°C)	
<b>Filtration :</b>	40 µ	
<b>Temperature range :</b>	-18°C to +50°C	
<b>Orifice :</b>	7 mm	
<b>Flow (at 6 bar, ΔP=1bar) :</b>	G1/4" : 1300 NI/min (C <sub>v</sub> 1.3) - G3/8" : 1350 NI/min (C <sub>v</sub> 1.35)	
<b>Leak rate :</b>	100 cm <sup>3</sup> /min	
<b>Coil :</b>	Epoxy encapsulated - class A wires - 100% ED (specify mod 0449)	
<b>Voltage range :</b>	-15% to +10% of nominal voltage	
<b>Protection :</b>	IP 65	
<b>Power :</b>	~ Inrush : 10.9 VA      Holding : 7.7 VA = 1.8 to 12.7 W	
<b>Response times :</b>	24 V=5.4 W      Energize : 9 ms      De-energize : 6ms	50Hz/6 W      Energize : 5-12 ms      De-energize : 6-13 ms

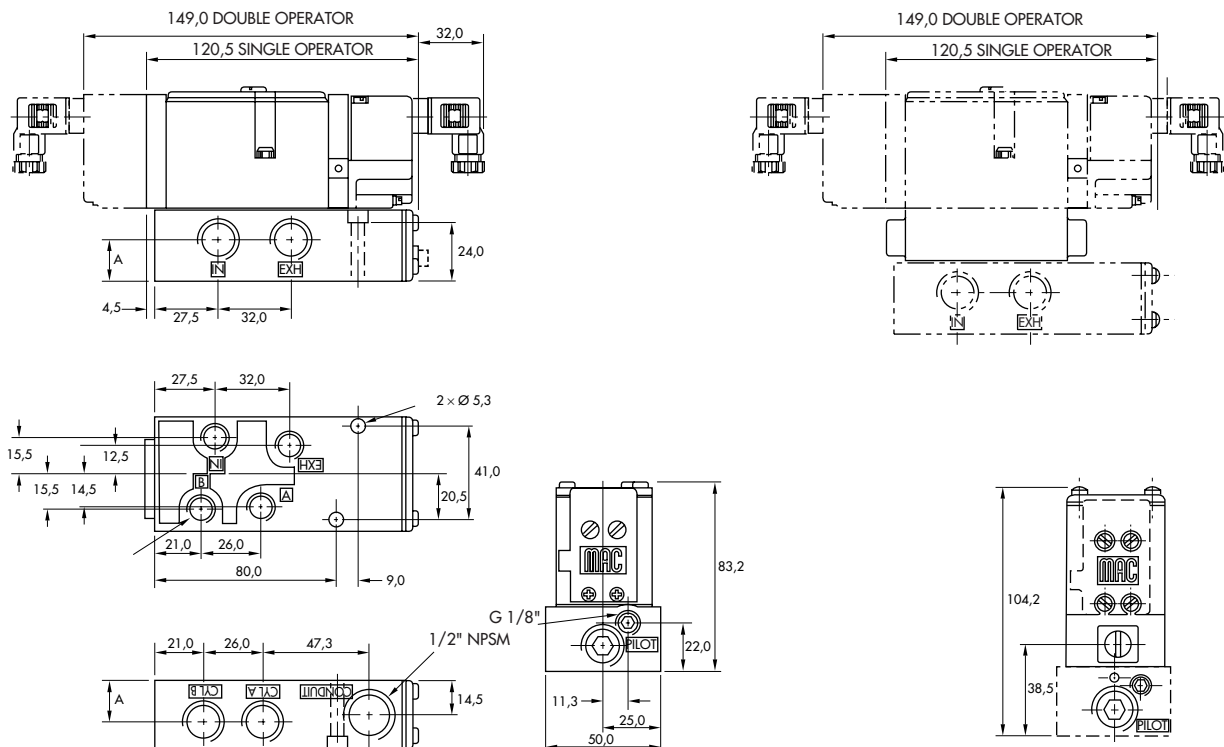
#### Spare parts :

- Solenoid operator (power ≥ 5.4 W) : 35A-000-DXXX-XXX, including mounting screws 35013.
- Seal between solenoid and pilot body : 16402. • Pilot valve : TM-DXXX-XXX, including seal 16447.
- Mounting screw pilot to main valve : 35023. • Pressure seal between valve and base : 16446.
- Mounting screw valve to base (x2) : 35211.

#### Options :

- NPTF threads. • Flow controls. • Explosion-proof model.

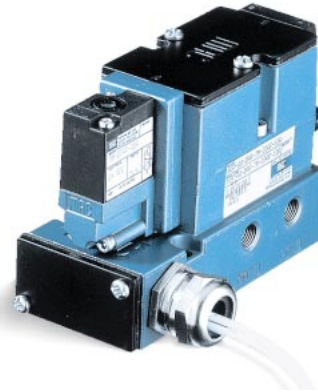
### DIMENSIONS



Function	Port size	Flow (Max)	Individual mounting
<b>4/2 - 4/3</b>	<b>G1/8" - G1/4" - G3/8"</b>	<b>1350 NI/min</b>	sub-base "plug-in"

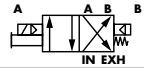
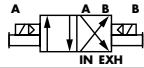
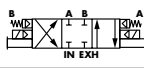
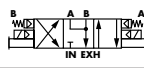

### OPERATIONAL BENEFITS

- Balanced spool, immune to variations of pressure.
- Short stroke with high flow.
- The piston (booster) provides maximum shifting forces.
- Powerful return force thanks to the combination of mechanical and air springs.
- Bonded spool with minimum friction, shifting in a glass-like finished bore.
- Wiping effect eliminates sticking.
- Pilot valve with balanced poppet, high flow, short and consistent response times.
- Long service life.



### HOW TO ORDER

Reset

Port size	Pilot air	4/2 Single operator	4/2 Double operator	4/3 Closed centre	4/3 Open centre	4/3 Pressure centre
						
<b>Valve less base</b>		82A-AA-000-TM-DxxP-YDA	82A-BA-000-TM-DxxP-YDA	82A-EA-000-TM-DxxP-YDA	82A-FA-000-TM-DxxP-YDA	82A-GA-000-TM-DxxP-YDA
<b>sub-base</b>	Internal	82A-AA-DAA-TM-DxxP-YDA	82A-BA-DAA-TM-DxxP-YDA	82A-EA-DAA-TM-DxxP-YDA	82A-FA-DAA-TM-DxxP-YDA	82A-GA-DAA-TM-DxxP-YDA
<b>G1/8"</b>	External	82A-AA-DAD-TM-DxxP-YDA	82A-BA-DAD-TM-DxxP-YDA	82A-EA-DAD-TM-DxxP-YDA	82A-FA-DAD-TM-DxxP-YDA	82A-GA-DAD-TM-DxxP-YDA
<b>sub-base</b>	Internal	82A-AA-EAA-TM-DxxP-YDA	82A-BA-EAA-TM-DxxP-YDA	82A-EA-EAA-TM-DxxP-YDA	82A-FA-EAA-TM-DxxP-YDA	82A-GA-EAA-TM-DxxP-YDA
<b>G1/4"</b>	External	82A-AA-EAD-TM-DxxP-YDA	82A-BA-EAD-TM-DxxP-YDA	82A-EA-EAD-TM-DxxP-YDA	82A-FA-EAD-TM-DxxP-YDA	82A-GA-EAD-TM-DxxP-YDA
<b>sub-base</b>	Internal	82A-AB-FAA-TM-DxxP-YDA	82A-BA-FAA-TM-DxxP-YDA	82A-EA-FAA-TM-DxxP-YDA	82A-FA-FAA-TM-DxxP-YDA	82A-GA-FAA-TM-DxxP-YDA
<b>G3/8"</b>	External	82A-AA-FAD-TM-DxxP-YDA	82A-BA-FAD-TM-DxxP-YDA	82A-EA-FAD-TM-DxxP-YDA	82A-FA-FAD-TM-DxxP-YDA	82A-GA-FAD-TM-DxxP-YDA

### SOLENOID OPERATOR >

D **XX** P- **Y** DA\*

XX	Voltage	Y	Manual operator
AB	220V~/50Hz	1	Non-locking
AA	110V~/50Hz	2	Locking
AC	24V~/50Hz		
FB	24V=/1,8W		
DA	24V=/5,4W		
DF	24V=/12,7W		

### OPTIONS

82A-AA-000-TM-DxxP-YDA

click for dual pressure valves (replace A by C, B by D, E by M, F by L, G by H).

**TECHNICAL  
 DATA**

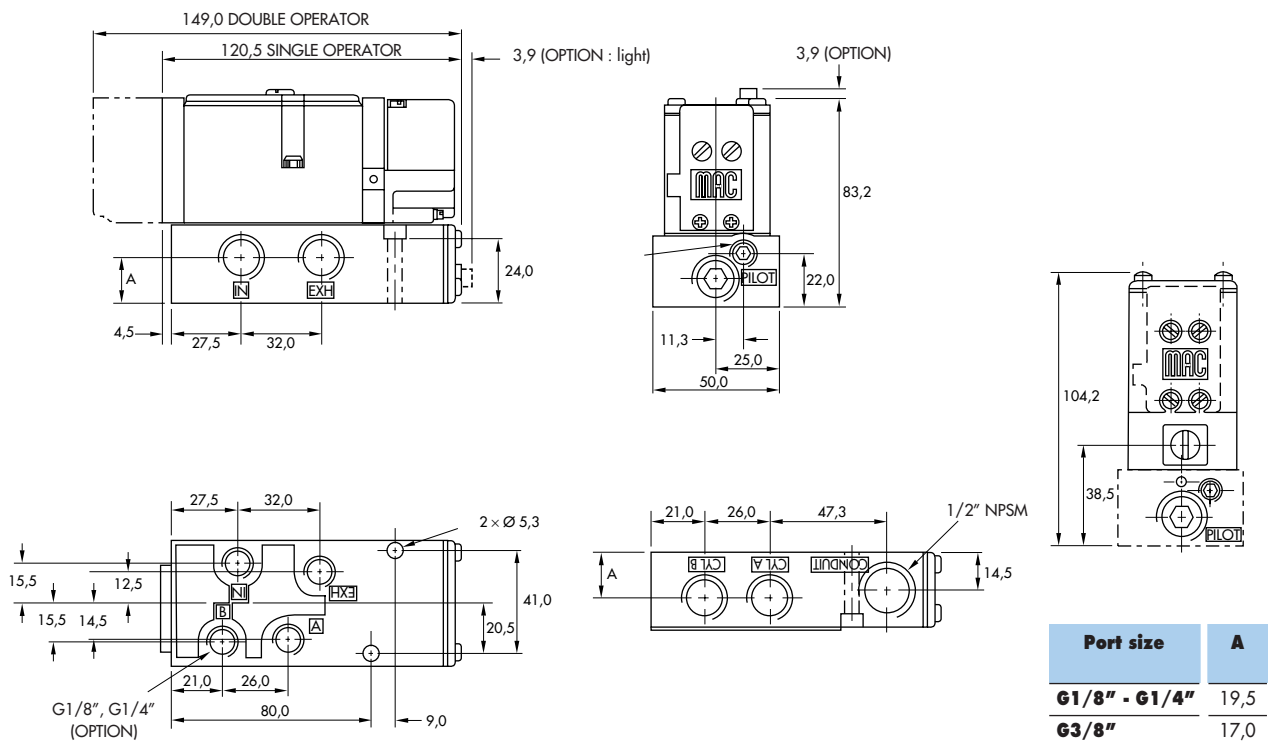
<b>Fluid :</b>	Compressed air, vacuum, inert gases	
<b>Pressure range :</b>	Internal pilot : single operator and 3 positions : 1.8 to 10 bar	double operator : 0.7 to 10 bar
	External pilot : vacuum to 10 bar	
<b>Pilot pressure :</b>	Single operator and 3 positions : 1.8 to 10 bar	Double operator : 0.7 to 10 bar
<b>Lubrication :</b>	Not required, if used select a medium aniline point lubricant (between 80°C and 100°C)	
<b>Filtration :</b>	40 µ	
<b>Temperature range :</b>	-18°C to +50°C	
<b>Orifice :</b>	7 mm	
<b>Flow (at 6 bar, ΔP=1bar) :</b>	G1/8" : 900 NI/min (C <sub>v</sub> 0.9) - G1/4" : 1300 NI/min (C <sub>v</sub> 1.3) - G3/8" : 1350 NI/min (C <sub>v</sub> 1.35)	
<b>Leak rate :</b>	100 cm <sup>3</sup> /min	
<b>Coil :</b>	Epoxy encapsulated - class A wires - 100% ED (specify mod 0449)	
<b>Voltage range :</b>	-15% to +10% of nominal voltage	
<b>Protection :</b>	IP 65	
<b>Power :</b>	~ Inrush : 10.9 VA      Holding : 7.7 VA = 1.8 to 12.7 W	
<b>Response times :</b>	24 V=/5.4 W      Energize : 9 ms      De-energize : 6ms	50Hz/6 W      Energize : 5-12 ms      De-energize : 6-13 ms

**Spare parts :**

- Solenoid operator (power ≥ 5.4 W) : 35A-000-DXXP-YDA, including mounting screws 35013. • Seal between solenoid and pilot body : 16402.
- Pilot valve : TM-DXXP-YDA, including seal 16447. • Mounting screw pilot to main valve : 35023. • Pressure seal between valve and base : 16446.
- Mounting screw valve to base (x2) : 35211.

**Options :**

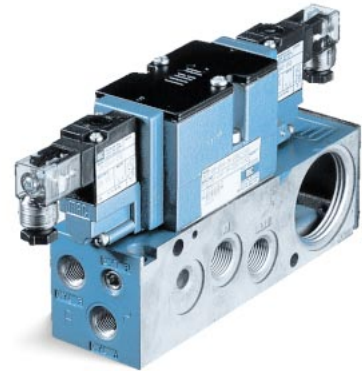
- NPTF threads. • Flow controls. • Explosion-proof model. • Lights in base or valve body.

**DIMENSIONS**


Function	Port size	Flow (Max)	Manifold mounting
<b>4/2 - 4/3</b>	<b>G1/4" - G3/8"</b>	<b>1350 NI/min</b>	sub-base

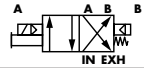
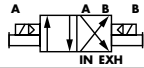
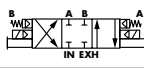
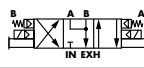

### OPERATIONAL BENEFITS

- Balanced spool, immune to variations of pressure.
- Short stroke with high flow.
- The piston (booster) provides maximum shifting forces.
- Powerful return force thanks to the combination of mechanical and air springs.
- Bonded spool with minimum friction, shifting in a glass-like finished bore.
- Wiping effect eliminates sticking.
- Pilot valve with balanced poppet, high flow, short and consistent response times.
- Long service life.



Reset

### HOW TO ORDER

Port size	Pilot air	4/2 Single operator	4/2 Double operator	4/3 Closed centre	4/3 Open centre	4/3 Pressure centre
						
<b>Valve less base</b>		82A-AB-000-TM-Dxxx-xxx	82A-BB-000-TM-Dxxx-xxx	82A-EB-000-TM-Dxxx-xxx	82A-FB-000-TM-Dxxx-xxx	82A-GB-000-TM-Dxxx-xxx
<b>sub-base</b>	Internal	82A-AB-EKA-TM-Dxxx-xxx	82A-BB-EKA-TM-Dxxx-xxx	82A-EB-EKA-TM-Dxxx-xxx	82A-FB-EKA-TM-Dxxx-xxx	82A-GB-EKA-TM-Dxxx-xxx
<b>G1/4"</b>	External	82A-AB-EKD-TM-Dxxx-xxx	82A-BB-EKD-TM-Dxxx-xxx	82A-EB-EKD-TM-Dxxx-xxx	82A-FB-EKD-TM-Dxxx-xxx	82A-GB-EKD-TM-Dxxx-xxx
<b>sub-base</b>	Internal	82A-AB-FKA-TM-Dxxx-xxx	82A-BB-FKA-TM-Dxxx-xxx	82A-EB-FKA-TM-Dxxx-xxx	82A-FB-FKA-TM-Dxxx-xxx	82A-GB-FKA-TM-Dxxx-xxx
<b>G3/8"</b>	External	82A-AB-FKD-TM-Dxxx-xxx	82A-BB-FKD-TM-Dxxx-xxx	82A-EB-FKD-TM-Dxxx-xxx	82A-FB-FKD-TM-Dxxx-xxx	82A-GB-FKD-TM-Dxxx-xxx

### SOLENOID OPERATOR ▶

D **XX X - X XX**\*

XX	Voltage	X	Wire length	X	Manual operator	XX	Electrical connection
AB	220V~/50Hz	A	45 cm (Flying leads)	1	Non-locking	KA	Square connector
AA	110V~/50Hz	J	Connector	2	Locking	KD	Square connector with light
AC	24V~/50Hz					JB	Rectangular connector
FB	24V=/1,8W					JD	Rectangular connector with light
DA	24V=/5,4W					BA	Flying leads
DF	24V=/12,7W						

### OPTIONS

82A-AB-000-TM-Dxxx-xxx

click for dual pressure valves (replace A by C, B by D, E by M, F by L, G by H).

### TECHNICAL D A T A

<b>Fluid :</b>	Compressed air, vacuum, inert gases	
<b>Pressure range :</b>	Internal pilot : single operator and 3 positions : 1.8 to 10 bar	double operator : 0.7 to 10 bar
	External pilot : vacuum to 10 bar	
<b>Pilot pressure :</b>	Single operator and 3 positions : 1.8 to 10 bar Double operator : 0.7 to 10 bar	
<b>Lubrication :</b>	Not required, if used select a medium aniline point lubricant (between 80°C and 100°C)	
<b>Filtration :</b>	40 µ	
<b>Temperature range :</b>	-18°C to +50°C	
<b>Orifice :</b>	7 mm	
<b>Flow (at 6 bar, ΔP=1bar) :</b>	G1/4" : 1300 NI/min (C <sub>v</sub> 1.3) - G3/8" : 1350 NI/min (C <sub>v</sub> 1.35)	
<b>Leak rate :</b>	100 cm <sup>3</sup> /min	
<b>Coil :</b>	Epoxy encapsulated - class A wires - 100% ED (specify mod 0449)	
<b>Voltage range :</b>	-15% to +10% of nominal voltage	
<b>Protection :</b>	IP 65	
<b>Power :</b>	~ Inrush : 10.9 VA Holding : 7.7 VA = 1.8 to 12.7 W	
<b>Response times :</b>	24 V=5.4 W	Energize : 9 ms De-energize : 6ms
	50Hz/6 W	Energize : 5-12 ms De-energize : 6-13 ms

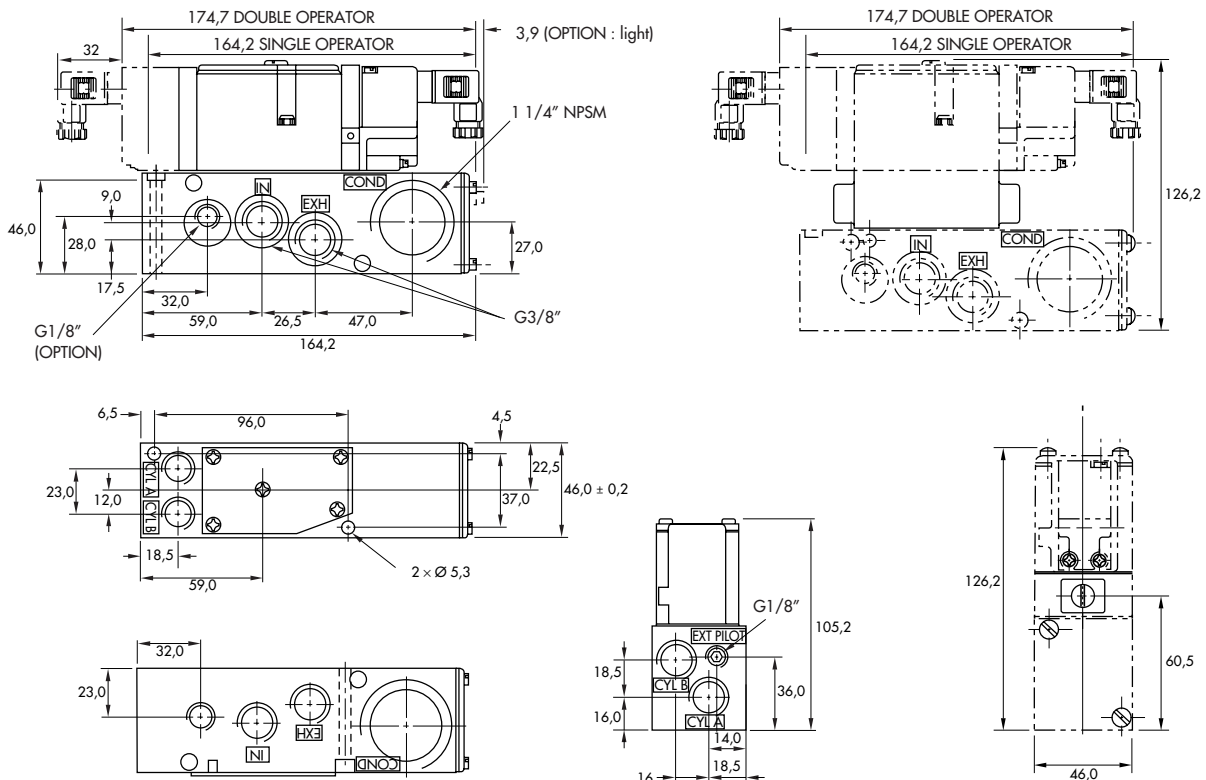
**Spare parts :**

- Solenoid operator (power ≥ 5.4 W) : 35A-000-DXXX-XXX, including mounting screws 35013.
- Seal between solenoid and pilot body : 16402. • Pilot valve : TM-DXXX-XXX, including seal 16447.
- Mounting screw pilot to main valve : 35023. • Pressure seal between valve and base : 16446.
- Mounting screw valve to base (x2) : 35211. • Tie-rod (x2) : 19731.

**Options :**

- NPTF threads. • Flow controls. • Explosion-proof model.

### DIMENSIONS



Function	Port size	Flow [Max]	Manifold mounting
<b>4/2 - 4/3</b>	<b>G1/4" - G3/8"</b>	<b>1350 NI/min</b>	sub-base "plug-in"

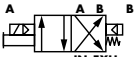
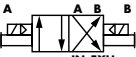
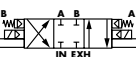
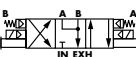

**OPERATIONAL BENEFITS**

1. Balanced spool, immune to variations of pressure.
2. Short stroke with high flow.
3. The piston (booster) provides maximum shifting forces.
4. Powerful return force thanks to the combination of mechanical and air springs.
5. Bonded spool with minimum friction, shifting in a glass-like finished bore.
6. Wiping effect eliminates sticking.
7. Pilot valve with balanced poppet, high flow, short and consistent response times.
8. Long service life.



Reset

**HOW TO ORDER**

Port size	Pilot air	4/2 Single operator	4/2 Double operator	4/3 centro chiuso	4/3 Open centre	4/3 Pressure centre
						
<b>Valve less base</b>		82A-AA-000-TM-DxxP-xDA	82A-BA-000-TM-DxxP-xDA	82A-EA-000-TM-DxxP-xDA	82A-FA-000-TM-DxxP-xDA	82A-GA-000-TM-DxxP-xDA
<b>sub-base</b>	Internal	82A-AA-EKA-TM-DxxP-xDA	82A-BA-EKA-TM-DxxP-xDA	82A-EA-EKA-TM-DxxP-xDA	82A-FA-EKA-TM-DxxP-xDA	82A-GA-EKA-TM-DxxP-xDA
<b>G1/4"</b>	External	82A-AA-EKD-TM-DxxP-xDA	82A-BA-EKD-TM-DxxP-xDA	82A-EA-EKD-TM-DxxP-xDA	82A-FA-EKD-TM-DxxP-xDA	82A-GA-EKD-TM-DxxP-xDA
<b>sub-base</b>	Internal	82A-AA-FKA-TM-DxxP-xDA	82A-BA-FKA-TM-DxxP-xDA	82A-EA-FKA-TM-DxxP-xDA	82A-FA-FKA-TM-DxxP-xDA	82A-GA-FKA-TM-DxxP-xDA
<b>G3/8"</b>	External	82A-AA-FKD-TM-DxxP-xDA	82A-BA-FKD-TM-DxxP-xDA	82A-EA-FKD-TM-DxxP-xDA	82A-FA-FKD-TM-DxxP-xDA	82A-GA-FKD-TM-DxxP-xDA

SOLENOID OPERATOR >

D **XX** P- **X** DA\*

<b>XX</b> Voltage	<b>X</b> Manual operator
<b>AB</b> 220V~/50Hz	<b>1</b> Non-locking
<b>AA</b> 110V~/50Hz	<b>2</b> Locking
<b>AC</b> 24V~/50Hz	
<b>FB</b> 24V=/1,8W	
<b>DA</b> 24V=/5,4W	
<b>DF</b> 24V=/12,7W	

**OPTIONS**

82A-AA-000-TM-DxxP-xDA

click for dual pressure valves (replace A by C, B by D, E by M, F by L, G by H).



### TECHNICAL D A T A

<b>Fluid :</b>	Compressed air, vacuum, inert gases	
<b>Pressure range :</b>	Internal pilot : single operator and 3 positions : 1.8 to 10 bar	double operator : 0.7 to 10 bar
	External pilot : vacuum to 10 bar	
<b>Pilot pressure :</b>	Single operator and 3 positions : 1.8 to 10 bar    Double operator : 0.7 to 10 bar	
<b>Lubrication :</b>	Not required, if used select a medium aniline point lubricant (between 80°C and 100°C)	
<b>Filtration :</b>	40 µ	
<b>Temperature range :</b>	-18°C to +50°C	
<b>Orifice :</b>	7 mm	
<b>Flow (at 6 bar, ΔP=1bar) :</b>	G1/4" : 1300 NI/min (C <sub>v</sub> 1.3) - G3/8" : 1350 NI/min (C <sub>v</sub> 1.35)	
<b>Leak rate :</b>	100 cm <sup>3</sup> /min	
<b>Coil :</b>	Epoxy encapsulated - class A wires - 100% ED (specify mod 0449)	
<b>Voltage range :</b>	-15% to +10% of nominal voltage	
<b>Protection :</b>	IP 65	
<b>Power :</b>	~ Inrush : 10.9 VA    Holding : 7.7 VA = 1.8 to 12.7 W	
<b>Response times :</b>	24 V=5.4 W    Energize : 9 ms    De-energize : 6ms	50Hz/6 W    Energize : 5-12 ms    De-energize : 6-13 ms

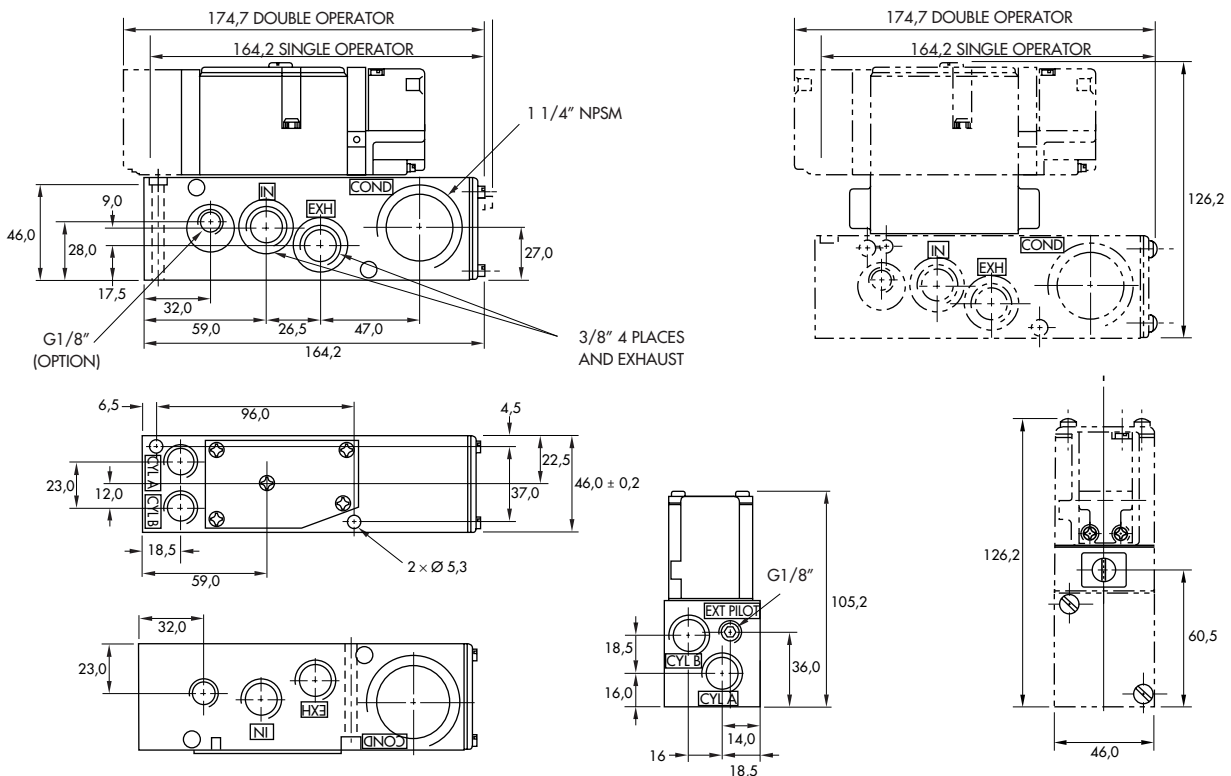
#### Spare parts :

- Solenoid operator (power ≥ 5.4 W) : 35A-000-DXXP-YDA, including mounting screws 35013.
- Seal between solenoid and pilot body : 16402. • Pilot valve : TM-DXXP-YDA, including seal 16447.
- Mounting screw pilot to main valve : 35023. • Pressure seal between valve and base : 16446.
- Mounting screw valve to base (x2) : 35211. • Tie-rod (x2) : 19731.

#### Options :

- NPTF threads. • Flow controls. • Explosion-proof model. • Lights in base or valve body.

### DIMENSIONS



---

**Codification table for voltages / Wire length / Manual operators / Electrical connections**

---

VALVE CODE >

**-DXX X - X XX**  
**1 2 3 4**

**OPTIONS AVAILABLE FOR**

- Solenoid valves 35 & 45 Series

---

- Pilot operated valves with pilots type 35 Series  
Series : 82

---

**1. VOLTAGE**

<b>- D XX X - X XX</b>	<b>VOLTAGE</b>
<b>AA</b>	120 V~/60 Hz - 110 V/50 Hz
<b>AB</b>	240 V~/60 Hz - 220 V/50 Hz
<b>AC</b>	24 V~/60 Hz - 24 V/50 Hz
<b>AD</b>	24 V~/60 Hz
<b>AE</b>	200 V~/60 Hz
<b>AF</b>	240 V~/50 Hz
<b>AG</b>	240 V~/50 Hz
<b>DA</b>	24 V=/5,4 W
<b>DB</b>	12 V=/5,4 W
<b>DC</b>	12 V=/7,5 W
<b>DD</b>	24 V=/7,3 W
<b>DE</b>	12 V=/12,7 W CLSF
<b>DF</b>	24 V=/12,7 W CLSF
<b>DK</b>	110 V=/4,7 W
<b>DL</b>	64 V=/6 W
<b>DM</b>	36 V=/5,3 W
<b>DN</b>	6 V=/6 W
<b>DP</b>	48 V=/5,8 W
<b>DU</b>	24 V=/6 W
<b>EA</b>	12 V=/6 W
<b>FA</b>	12 V=/1,8 W
<b>FB</b>	24 V=/1,8 W
<b>FE</b>	12 V=/2,4 W
<b>FF</b>	24 V=/2,4 W

**2. WIRE LENGTH**

<b>- D XX X - X XX</b>	<b>WIRE LENGTH</b>
<b>A</b>	45 cm - 18"
<b>B</b>	60 cm - 24"
<b>C</b>	90 cm - 36"
<b>D</b>	120 cm - 48"
<b>E</b>	180 cm - 72"
<b>F</b>	240 cm - 96"
<b>J</b>	For external plug-in connector
<b>P</b>	For plug-in valves (82 Series only)

### 3. MANUAL OPERATOR

**- D XX X - X XX    MANUAL OPERATOR**

<b>0</b>	No operator
<b>1</b>	Non-locking recessed
<b>2</b>	Locking recessed
<b>3</b>	Non-locking extended
<b>4</b>	Locking extended

### 4. ELECTRICAL CONNECTION

**- D XX X - X XX    ELECTRICAL CONNECTION**

<b>BA</b>	Flying leads
<b>BK</b>	BA with protection diode
<b>BL</b>	BA with protection varistor
<b>CA</b>	1/2" NPS conduit
<b>JB</b>	Rectangular connector
<b>JD</b>	Rectangular connector with light
<b>JM</b>	Rectangular connector, male only
<b>KA</b>	Square connector
<b>KB</b>	Square connector with protection diode
<b>KC</b>	Square connector with protection varistor
<b>KD</b>	Square connector with light
<b>KE</b>	Square connector with light and protection diode
<b>KF</b>	Square connector with light and protection varistor
<b>KJ</b>	Square connector (male only)
<b>KK</b>	Square connector with protection diode (male only)
<b>KL</b>	Square connector with protection varistor (male only)
<b>MA</b>	Electrical common conduit
<b>TA</b>	Dual tabs
<b>TB</b>	TA with protection diode
<b>TD</b>	TA with light
<b>TE</b>	TA with light and protection diode
<b>TJ</b>	Dual tabs (male only)
<b>TK</b>	TJ with protection diode
<b>TM</b>	TJ with light
<b>TN</b>	TJ with light and protection diode
<b>DA*</b>	Plug-in connector
<b>DK*</b>	DA with protection diode
<b>DL*</b>	DA with protection varistor

\* To be used with 82 Series only